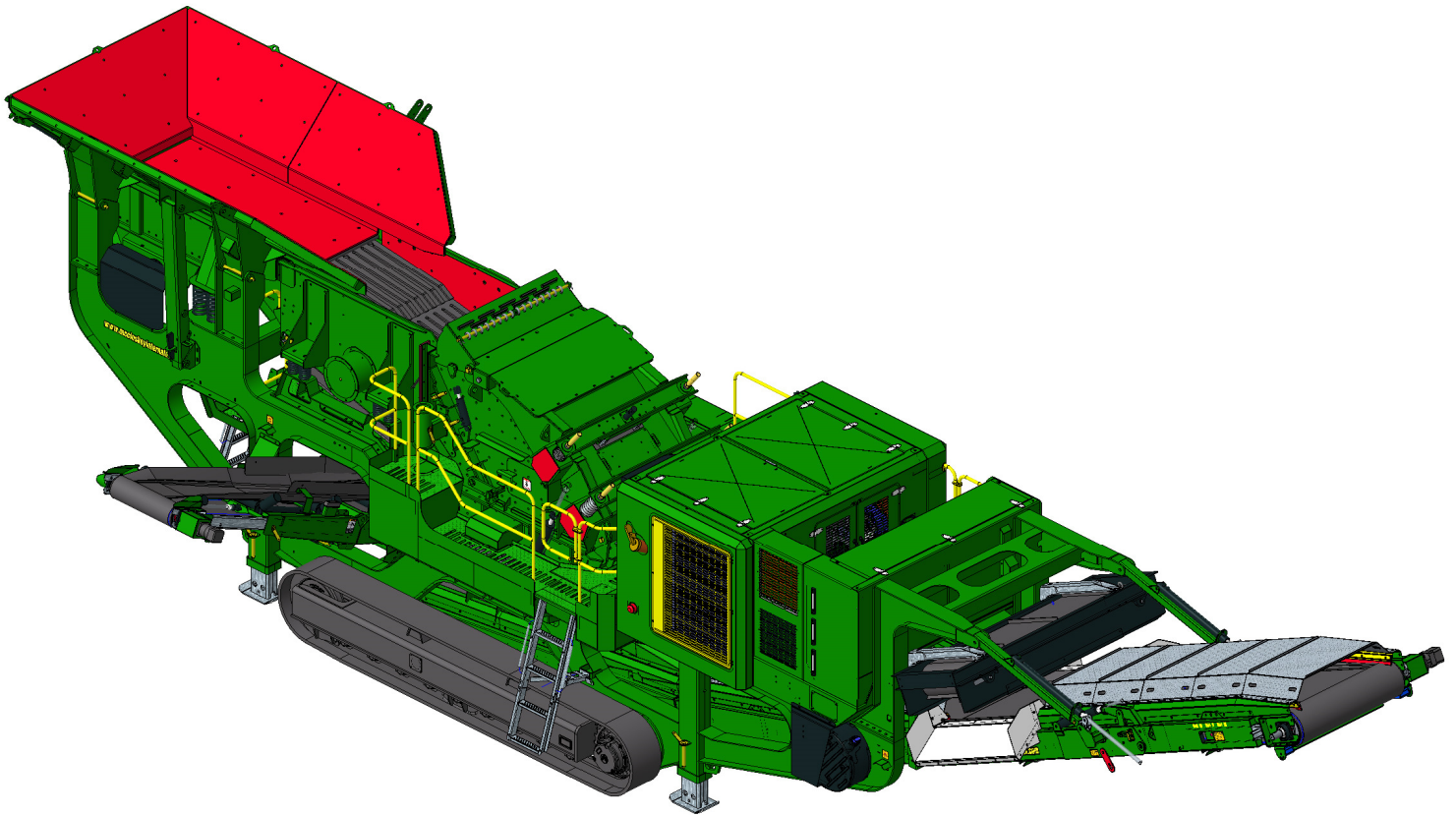
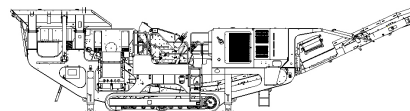


SPECIFICATIONS



McCloskey ***154v3***

**DESCRIPTION**

Heavy duty track mounted Crusher with following features:

- 1200mm (48") diameter x 1350mm (53") wide Impactor.
- 510Hp (380kW) Volvo D13 T4 Final engine.
- Tracked.
- Integrated hydraulic folding hopper.
- Integrated hydraulic folding stockpiling conveyors.
- I-beam plate fabricated chassis construction.
- Open chassis design for ease of maintenance
- Fast setup time
- Vibrating feeder under crusher discharge.

DIMENSIONS AND WEIGHTS

Length - transport model	15.857m (52' – 0.3")
Width - transport all models	3.00m (9' – 10")
Height - transport track	3.60m (11' – 9.7")
Weight – track (estimated)	52,900 Kgs (116,624bs) inc magnet & dirt conveyor

CAPACITIES

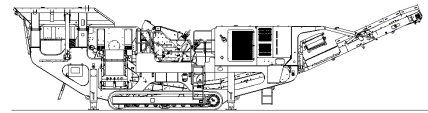
Diesel tank capacity	864 L (228 US gal)
Hydraulic tank capacity	783 L (207 US gal)

IMPACTOR CHAMBER

Feed opening WxH	1360 x 950mm, (53.5 x 37")
Impactor rotor	1200mm (47.2") diameter x 1335mm (52.6") wide
Crusher speed	530-700 rpm (34-44 m/sec rotor tip speed)
Number of aprons	2
Number of blowbars	4
Full blowbar weight	374 Kg (825 lbs)
Crusher Drive	Direct Drive
Feed size	600 x 500 x 500mm lump, (24" x 20" x 20")
Impactor weight	16,000kg (35,274 lbs)
Closed side setting adjustment	Hydraulic rams, shim system
Speed sensor	YES
Load sensor	Engine load monitoring

PAN FEEDER

Feeder width	1164mm (45.8")
Feeder length	2695mm (106.2")
Drive	Hydraulic
Motor	David Brown MCC 2208 58.7cc/rev
Flow rate	68.4 Lpm (18.1 US gpm)
Adjustable speed	Yes – via mechanical Flow Control
Variable speed	Yes – via electrical proportional pump
Maximum speed	970rpm

**DOUBLE DECK GRIZZLY PRE SCREEN**

Prescreen width (inside wearplates)	1204mm (47.4")
Prescreen length overall	2360mm (7' – 8.8")
Grizzly section opening	Tapered 35-75mm (1.4" – 3")
Grizzly section length	1180mm (46")
Bottom deck mesh	2017mm x 1608 (79.4" x 63.3")
Drive	Hydraulic
Motor	David Brown MCC 2208 58.7cc/rev
Flow rate	85.5Lpm (22.6 US gpm)
Adjustable speed	NO
Auto stop start system	YES
Maximum speed	1050rpm

HOPPER

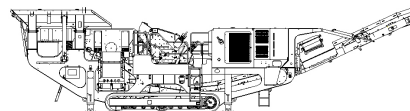
Length overall	4280mm (14' – 0.5")
Width	2487mm (8' – 1.8")
Volume	6.8m ³ (8.9yd ³)
Material	8mm sides + 10mm Hardox liners
Locking system	Hydraulic rear wedges and side hydraulic legs

SIDE CONVEYOR

Stockpile height	2569mm (8' – 5.1")
Belt width	800mm (32")
Belt spec	EP 400/3 3+1.5
Drive drum dia.	220mm (8.6")
Tail drum dia.	220mm (8.6") - spoked
Motor	OMT400
Flow rate	55.1 Lpm (14.6 US gpm)
Adjustable speed	YES
Maximum speed	109 rpm

MAIN CONVEYOR

Stockpile height	4188mm (13' – 8.9")
Belt width	1400mm (55")
Belt spec	Plain 500/3 8+2
Drive drum dia.	330mm (13")
Tail drum dia.	287mm (11.3") – spoked
Motor	OMV800
Flow rate	106.4 Lpm (28.1 US gpm)
Maximum speed	133 rpm
Angle adjustable	OPTION
Quick release	YES

**PAN FEEDER UNDER IMPACTOR (OPTIONAL)**

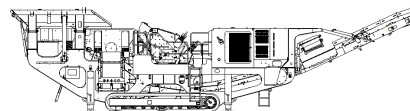
Width (across base plate)	1264mm (49.8")
length	2370mm (93.3")
Base liners	10mm (3/8") stainless steel
Side liners	12mm (1/2" Hardox 400
Operating angle	8°
Vibrating motor	Twin out of balance mass
Hydraulic motor	2 off Eaton 32.9cc/rev
Fixed speed	YES
Flow rate	85.5 Lpm (22.6 US gpm)

POWERUNIT AND HYDRAULICS

Engine	Volvo D13 Tier 4 Final or Tier 3
Engine power	380 Kw (510 HP)
Engine speed	1600 - 1900 rpm
Impactor drive clutch	PTtech HPTO14TF1
Flywheel Pump 1 (Tracks/Feeder)	Kawasaki K3VL80
Flywheel Pump 2 (Tracks/Main conveyor)	Kawasaki K3VL80
LH PTO Pump 3 (Magnet/Side conv/pilot)	Turolla 29/23/07
Front PTO Pump 4 (Prescreen/Underpan)	Turolla 45/45
Total system flow (max)	457.9 Lpm (121 US Gpm)
Hydraulic tank capacity	783 L (207 US Gals)
Hydraulic tank ratio	1.7 : 1
Hydraulic Oil cooler	YES

ELECTRICS

Emergency stops	4 off, 2 feeder, 2 powerunit
Chassis cabling	Armored cable
Start Siren	YES – 10 sec delay
Control panel	Tedd Engineering / IFM
Engine shutdowns:	Low oil pressure High water temp Air filter blockage (selectable) Fuel contamination Low hydraulic tank level High hydraulic return line filter backpressure High hydraulic water filter backpressure High hydraulic oil temperature
Radio control tracks and feeder	STANDARD
Pendant track control	YES – plugged in control cabinet

**TRACKS**

Width	400mm (15.7")
Length	4100mm (13' – 5.4") crs
Height	817mm (32")
Gearbox	Bonfiglioli 711 (or equivalent)
Ratio	144:1
Motor	Rexroth A2FE90
Speed max	1.50 Kph (0.93 Mph)
Flow rate	152 Lpm (40.2 US gpm)
Multiple speeds	Three speed system selectable at control panel with smooth start / stop.
Attachment to chassis	Bolt On for quick change

OPTIONS

Main conveyor variable speed control	
Hopper Extensions	
Overband magnet	
Water Pump and dust suppression system	
Various blow bar material options	
Work lights	
Belt Scale	
Refueling pump	STANDARD

SAFETY FEATURES

External belt alignment points
External grease points
Engine safety shutdown systems
Full safety guarding for nip points

