

Runs two shifts on one battery charge – guaranteed

High performance and high energy efficiency with 4<sup>th</sup> generation AC technology

Ergonomic and easily adjustable operator compartment

soloPILOT or multiPILOT integrated into the adjustable armrest

Sealed components to help protect against dust and moisture



## EFG 425 – S30

### Electric Four-Wheel Counterbalanced Trucks (5,000 – 6,500 lbs.)

#### The advantages of electrics

The newest generation of 3-phase AC technology offers a number of benefits:

- Maximum throughput with high acceleration, travel and lift speeds.
- Minimal energy consumption due to high efficiency and energy recovery.
- Minimal service costs due to the reduction of mechanical and hydraulic components.

#### High energy efficiency

Run two shifts on one battery charge – The industry-exclusive Jungheinrich “2 Shifts, 1 Charge” program guarantees that the EFG 425-S30 series will run for two shifts on one battery charge – with no interim charging, no battery changing and no additional charging equipment needed.

#### Outdoor applications

Harsh environments are no problem for the EFG 425-S30 series of forklifts because major electrical components are highly sealed, including connectors, controllers, motors and more. The enclosed cabin option provides a comfortable and productive environment for operators – even in wet, cold or extreme conditions.

**JUNGHEINRICH**<sup>®</sup>

# Technical data

Characteristics			EFG 425k		EFG 425		EFG 430k			
	lb	kg								
1	Capacity at rated load center	lb	kg	4,928	2,500	4,928	2,500	5,917	3,000	
2	Capacity at load center - distance	in	mm	24	500	24	500	24	500	
3	Power – diesel, gasoline, LP gas, electric			electric		electric		electric		
4	Tire type – cushion, solid pneumatic			solid pneumatic		solid pneumatic		solid pneumatic		
5	Wheels (x=driven) number front / rear			2x / 2		2x / 2		2x / 2		
Dimensions	11	Maximum fork height*	in	mm	122	3,100	122	3,100	122	3,100
	12	Free fork height*	in	mm	5.9	150	5.9	150	5.9	150
	13	Forks – thickness x width x length	in	mm	1.6x4.7x43	40x120x1,100	1.6x4.7x43	40x120x1,100	1.8x4.9x43	45x125x1,100
		Fork spacing – out-to-out minimum / maximum	in	mm	13.25 / 40.25	335 / 1,022	13.25 / 40.25	335 / 1,022	13.75 / 40.5	349 / 1,028
	14	Tilt – forward / backward	deg		6° / 8°		6° / 8°		6° / 8°	
	15	Length to fork face	in	mm	90.4	2,295	96.1	2,440	90.6	2,300
	16	Standard width	in	mm	47.2	1,198	47.2	1,198	47.2	1,198
		Width – w/ wide stance drive wheels	in	mm	N/A		N/A		51.2	1,300
	17	Height – with lowered mast	in	mm	88.2	2,240	88.2	2,240	88.2	2,240
	18	Seat height to SIP	in	mm	46.9	1,190	46.9	1,190	46.9	1,190
	19	Height to top of overhead guard	in	mm	88.2	2,240	88.2	2,240	88.2	2,240
	20	Height with extended mast	in	mm	170	4,320	170	4,320	174	4,430
	21	Minimum outside turning radius	in	mm	78.7	2,000	84.7	2,150	78.7	2,000
	22	Load moment constant	in	mm	16.7	425	16.7	425	16.9	430
23	Min. aisle (90° stack) zero clearance without load	in	mm	95.5	2,425	101.4	2,575	95.7	2,430	
Performance	24	Travel speed – loaded / empty	mph	km/h	10.0 / 10.6	16.0 / 17.0	10.0 / 10.6	16.0 / 17.0	10.0 / 10.6	16.0 / 17.0
		<b>HP travel speed – loaded / empty</b>	mph	km/h	<b>11.8 / 12.4</b>	<b>19.0 / 20.0</b>	<b>11.8 / 12.4</b>	<b>19.0 / 20.0</b>	<b>11.8 / 12.4</b>	<b>19.0 / 20.0</b>
	25	Lift speed – loaded / empty	fpm	m/s	84.7 / 108.3	0.43 / 0.55	84.7 / 108.3	0.43 / 0.55	78.7 / 108.3	0.40 / 0.55
		<b>HP lift speed – loaded / empty</b>	fpm	m/s	<b>94.5 / 118.1</b>	<b>0.48 / 0.60</b>	<b>94.5 / 118.1</b>	<b>0.48 / 0.60</b>	<b>84.7 / 118.1</b>	<b>0.43 / 0.60</b>
	26	Lowering speed – loaded / empty	fpm	m/s	114.2 / 114.2	0.58 / 0.58	114.2 / 114.2	0.58 / 0.58	114.2 / 114.2	0.58 / 0.58
		<b>HP lowering speed – loaded / empty</b>	fpm	m/s	<b>114.2 / 114.2</b>	<b>0.58 / 0.58</b>	<b>114.2 / 114.2</b>	<b>0.58 / 0.58</b>	<b>114.2 / 114.2</b>	<b>0.58 / 0.58</b>
	27	Drawbar pull (max.) – 60 min. rating loaded / empty	lb-f	N	809 / 899	3,600 / 4,000	787 / 877	3,500 / 3,900	1,012 / 1,124	4,500 / 5,000
		<b>HP Drawbar pull (max.) – 60 min. rating loaded / empty</b>	lb-f	N	<b>1,147 / 1,259</b>	<b>5,100 / 5,600</b>	<b>1,102 / 1,237</b>	<b>4,900 / 5,500</b>	<b>1,124 / 1,304</b>	<b>5,000 / 5,800</b>
		Drawbar pull (max.) – 5 min. rating loaded / empty	lb-f	N	2,810 / 2,923	12,500 / 13,000	2,810 / 2,923	12,500 / 13,000	3,147 / 3,260	14,000 / 14,500
		<b>HP Drawbar pull (max.) – 5 min. rating loaded / empty</b>	lb-f	N	<b>3,597 / 3,664</b>	<b>16,000 / 16,300</b>	<b>3,597 / 3,664</b>	<b>16,000 / 16,300</b>	<b>3,530 / 3,597</b>	<b>15,700 / 16,000</b>
28	Gradeability – maximum – loaded / empty	%		17 / 25		17 / 25		15 / 23		
	<b>HP Gradeability – maximum – loaded / empty</b>	%		<b>19 / 27</b>		<b>19 / 27</b>		<b>17 / 25</b>		
Weight	29	Empty with minimum weight battery	lb	kg	10,472	4,750	10,311	4,677	11,530	5,230
	30	Axle load with rated load – front	lb	kg	14,191	6,437	14,321	6,496	16,152	7,327
		Axle load with rated load – rear	lb	kg	1,793	813	1,502	681	1,992	903
		Axle load without load – front	lb	kg	5,443	2,469	5,858	2,657	5,558	2,521
		Axle load without load – rear	lb	kg	5,029	2,281	4,453	2,020	5,950	2,699
Chassis	31	Tire size – front, standard solid pneumatic tires			225/75-10		225/75-10		250/60-12	
		Tire size – rear solid pneumatic tires			180/70-8		180/70-8		200/50-10	
	32	Wheelbase	in	mm	62.0	1,575	67.7	1,720	62.0	1,575
	33	Tread width – front, std. solid pneumatic tires	in	mm	39.0	990	39.0	990	37.4	950
	34	Tread width – rear solid pneumatic tires	in	mm	37.0	940	37.0	940	37.0	940
	35	Ground clearance – at lowest point at mast	in	mm	4.7	120	4.7	120	4.7	120
	36	Ground clearance – at center of wheelbase	in	mm	5.3	135	5.3	135	5.3	135
	37	Service brakes	type		mechanical		mechanical		mechanical	
	38	Parking brakes	type		electric		electric		electric	
	39	Battery – dimensions (length x width x height)	in		27.99x40.47x30.87		33.66x40.47x30.87		27.99x40.47x30.87	
Powertrain	40	Battery – max. capacity at 6 hr. discharge rate	Ah	kWh	700	54.4	700	54.4	700	54.4
	41	Battery – weight, minimum / maximum	lb	kg	3,263 / 4,037	1,480 / 1,831	3,902 / 4,436	1,770 / 2,012	3,263 / 4,037	1,480 / 1,831
	42	Motors – traction output (60 min. rating) / <b>HP</b>	HP	kW	16.1 / <b>20.1</b>	12.0 / <b>15.0</b>	16.1 / <b>20.1</b>	12.0 / <b>15.0</b>	16.1 / <b>20.1</b>	12.0 / <b>15.0</b>
	43	Motors – lift output (15% rating) / <b>HP</b>	HP	kW	24.8 / <b>29.5</b>	18.5 / <b>22.0</b>	24.8 / <b>29.5</b>	18.5 / <b>22.0</b>	24.8 / <b>29.5</b>	18.5 / <b>22.0</b>
	44	Drive controls	type		impulse / AC		impulse / AC		impulse / AC	
	45	Hydraulic controls	type		AC		AC		AC	
	46	Flow rate for attachments	gpm	lpm	6.6	25	6.6	25	6.6	25
	47	Relief pressure – for attachments at auxiliary	psi	bar	2,900	200	2,900	200	2,900	200
	48	Noise level – mean value at operator's ear	dB(A)		70		70		70	

**HP = High Performance** \* Lift with standard two-stage mast

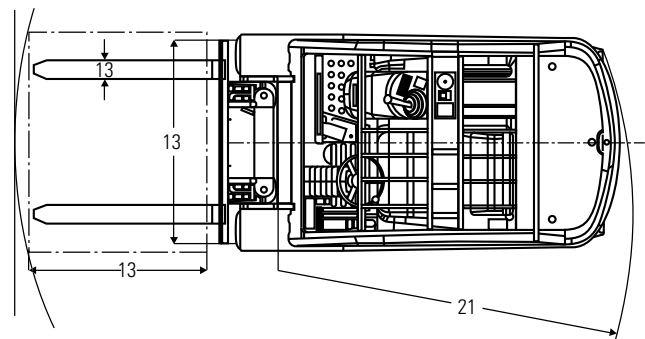
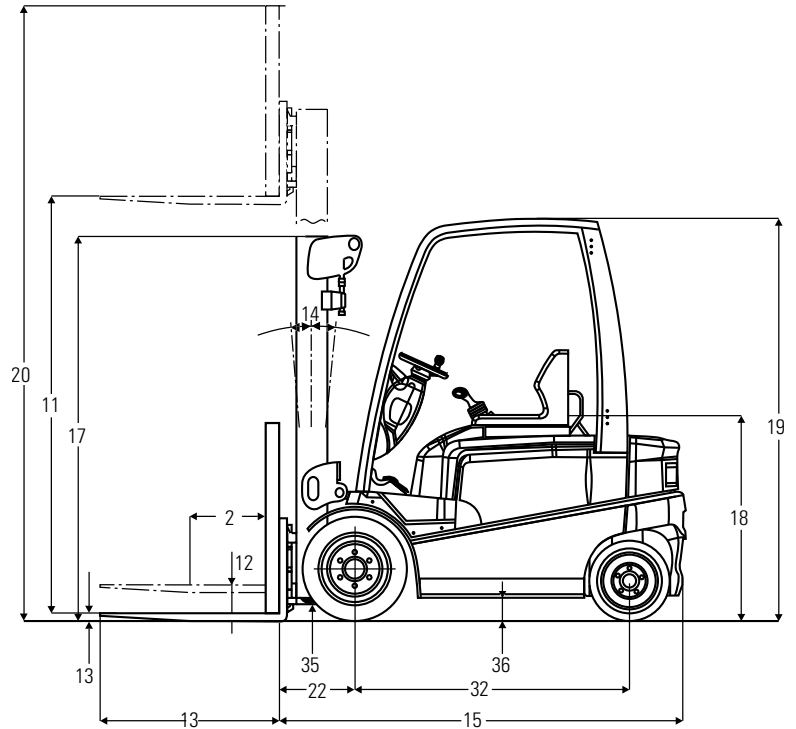
This specification sheet only provides technical values for the standard truck. Non-standard tires, different masts, different axle widths, additional equipment, etc. could produce other values.

Rights reserved for technical changes and improvements.

as of: 09/2012

# EFG 425-S30

	EFG 430		EFG S30	
1	5,917	3,000	6,608	3,000
2	24	500	24	600
3	electric		electric	
4	solid pneumatic		solid pneumatic	
5	2x / 2		2x / 2	
11	122	3,100	122	3,100
12	5.9	150	5.9	150
13	1.8x4.9x43 13.75 / 40.5	45x125x1,100 349 / 1,028	2.0x4.9x45 13.75 / 40.5	50x125x1,150 349 / 1,028
14	6° / 8°		6° / 8°	
15	96.3	2,445	96.5	2,450
16	47.2	1,198	51.2	1,300
17	51.2	1,300	N/A	
18	88.2	2,240	88.2	2,240
19	46.9	1,190	46.9	1,190
20	88.2	2,240	88.2	2,240
21	174	4,430	174	4,430
22	84.7	2,150	84.7	2,150
23	16.9	430	16.9	430
24	101.6	2,580	101.6	2,580
25	10.0 / 10.6	16.0 / 17.0	10.0 / 10.6	16.0 / 17.0
26	<b>11.8 / 12.4</b>	<b>19.0 / 20.0</b>	<b>11.8 / 12.4</b>	<b>19.0 / 20.0</b>
27	78.7 / 108.3	0.40 / 0.55	78.7 / 108.3	0.40 / 0.55
28	<b>84.7 / 118.1</b>	<b>0.43 / 0.60</b>	<b>84.7 / 118.1</b>	<b>0.43 / 0.60</b>
29	114.2 / 114.2	0.58 / 0.58	114.2 / 114.2	0.58 / 0.58
30	<b>114.2 / 114.2</b>	<b>0.58 / 0.58</b>	<b>114.2 / 114.2</b>	<b>0.58 / 0.58</b>
31	1,012 / 1,124	4,500 / 5,000	1,012 / 1,124	4,500 / 5,000
32	<b>1,124 / 1,304</b>	<b>5,000 / 5,800</b>	<b>1,124 / 1,304</b>	<b>5,000 / 5,800</b>
33	3,147 / 3,260	14,000 / 14,500	3,147 / 3,260	14,000 / 14,500
34	<b>3,530 / 3,597</b>	<b>15,700 / 16,000</b>	<b>3,530 / 3,597</b>	<b>15,700 / 16,000</b>
35	15 / 23		15 / 23	
36	<b>18 / 26</b>		<b>17 / 25</b>	
37	11,303	5,127	11,876	5,387
38	16,086	7,297	16,462	7,467
39	1,831	830	2,005	910
40	5,846	2,652	5,876	2,665
41	5,457	2,475	5,985	2,715
42	250/60-12		315/45-12	
43	180/70-8		200/50-10	
44	67.7	1,720	67.7	1,720
45	37.4	950	39.4	1,000
46	37.0	940	37.0	940
47	4.7	120	4.7	120
48	5.3	135	5.3	135
49	mechanical		mechanical	
50	electric		electric	
51	33.66x40.47x30.87		33.66x40.47x30.87	
52	700	54.4	700	54.4
53	3,902 / 4,436	1,770 / 2,012	3,902 / 4,436	1,770 / 2,012
54	16.1 / <b>20.1</b>	12.0 / <b>15.0</b>	16.1 / <b>20.1</b>	12.0 / <b>15.0</b>
55	24.8 / <b>29.5</b>	18.5 / <b>22.0</b>	24.8 / <b>29.5</b>	18.5 / <b>22.0</b>
56	impulse / AC		impulse / AC	
57	AC		AC	
58	6.6	25	6.6	25
59	2,900	200	2,900	200
60	70		70	



# The Jungheinrich Advantage

## Superior operator comfort

The ergonomic operator compartment allows for relaxed and productive operation, particularly beneficial at the end of long shifts:

- Low, wide step with slip-resistant tread.
- Slim steering column for maximum knee and legroom.
- Ability to tilt and telescope the steering column to suit the operator's needs.
- All essential controls are located on the highly-adjustable armrest, allowing for easy, intuitive operator control.
- Operators will experience an extremely comfortable ride on rough or uneven floors with the combination of solid pneumatic tires, a full-suspension seat and floating cabin.
- Outstanding view thanks to an innovative overhead guard design and optimized mast channel nesting and hose routing.

## Maintenance-free braking system

- Regenerative braking with the traction motor allows for smooth, energy efficient deceleration.
- Automatically engaging parking brake for secure stopping, even on ramps.
- Multiple wet disc brakes are highly sealed for extreme durability in harsh environments.

## Maintenance-free motors

The new generation of 3-phase AC motors will impress – providing quiet and precise operation at all speeds.

- High torque for faster operation cycles.
- Lifetime lubrication of main components.
- Motor, brake and gears are integrated into the sealed drive axle.
- Dust and water protection to IP54.



Ergonomic operator compartment

## Control systems

High performance also requires a high degree of control. That's why the EFG series includes a comprehensive range of equipment for more secure operation:

- Deactivation of all hydraulic functions when the operator seat is not occupied.
- No roll-back on ramps or inclines with the automatic parking brake, even when the vehicle is switched off.
- Automatic progressive reduction of the driving speed during cornering with Jungheinrich curveCONTROL.

## Intelligent electronics

- Smooth travel / reversing and precise positioning.
- Optimally adapts to any situation using five individual work programs.
- Efficient communication between the truck and operator / technician with the highly informative, interactive display.



Speed reduction during cornering

## Lithium-ion Package Advantages

- Fast charging with no need for battery exchanges
- Maintenance-free with no odors from gases or acidification
- Longer service life and lower maintenance compared with lead-acid batteries
- Charging can be interrupted at anytime
- 5-year battery warranty included

## Parts when you need them

Jungheinrich's Parts Fast or Parts Free Guarantee ensures next-business-day delivery by 5:00 p.m. of all Jungheinrich parts in the United States, or they're free, including freight. For customers in Canada and Mexico, the guarantee ensures shipping of parts within 24 hours from the time the order was placed by the dealer. See your local Jungheinrich dealer for program details.

\* Programs may be subject to change without notice and may vary by region. Please ask your local Jungheinrich dealer for complete terms and conditions.